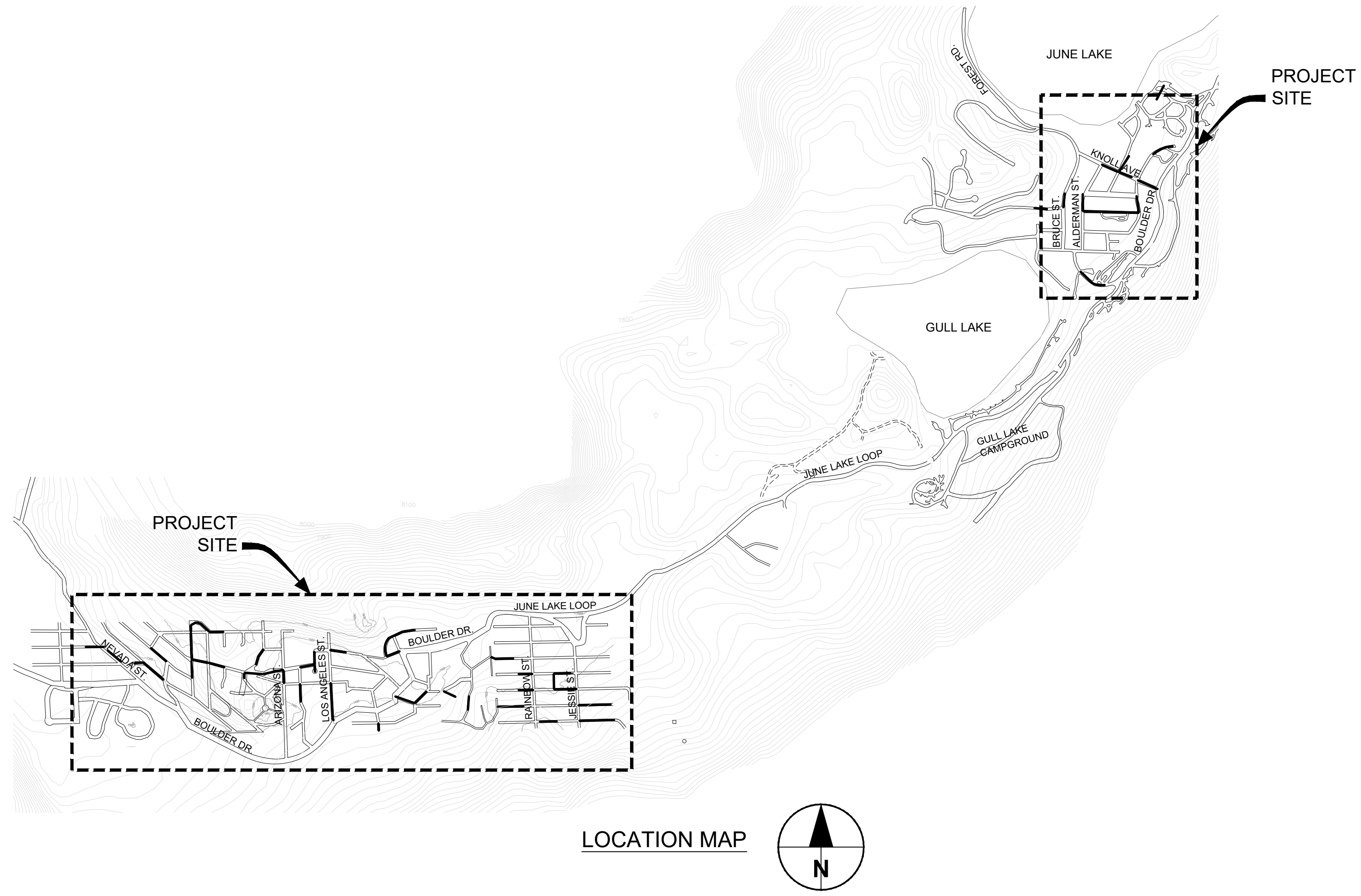
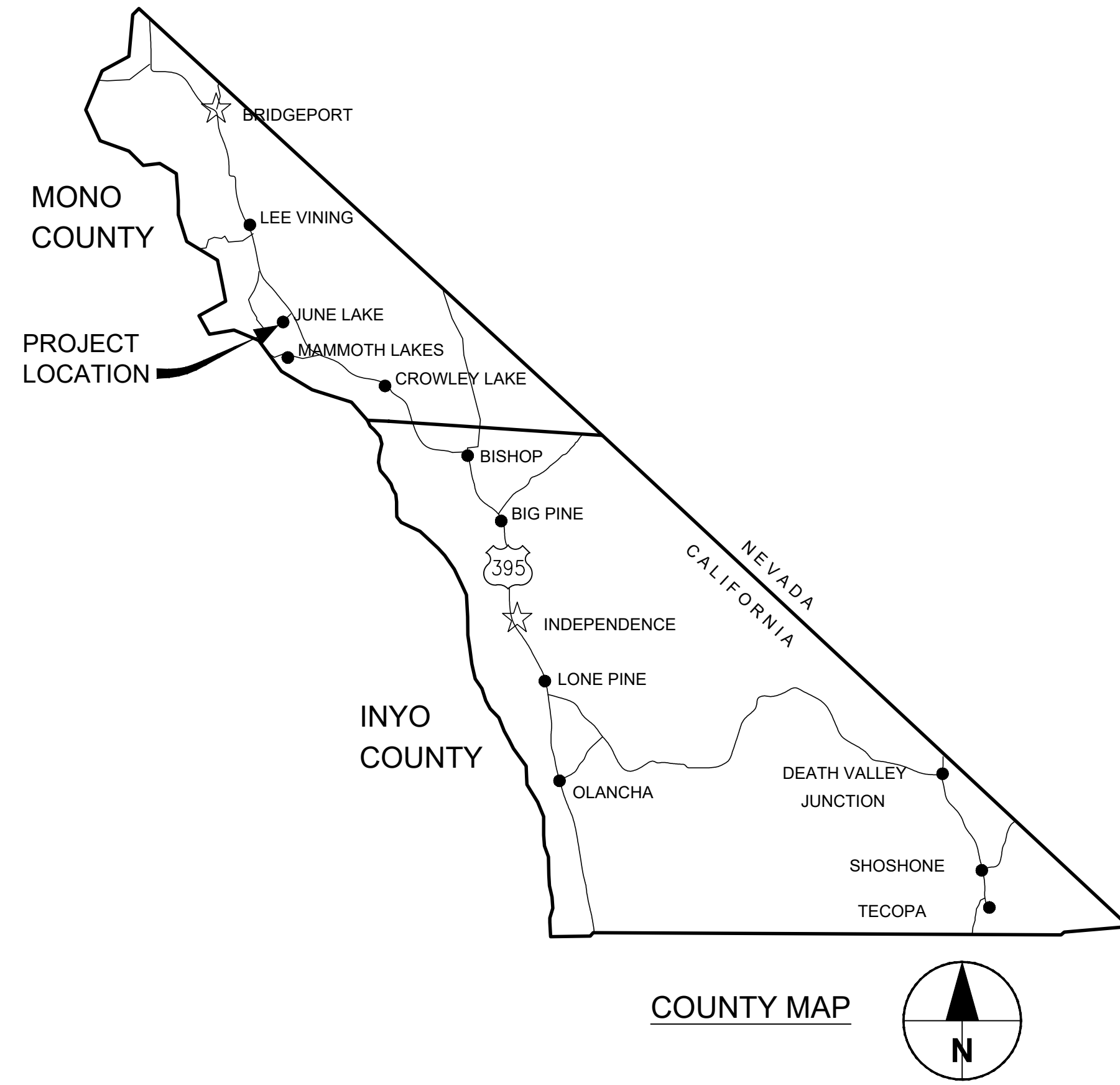
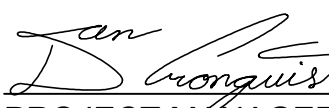



CONSTRUCTION PLANS FOR THE JUNE LAKE PUBLIC UTILITY DISTRICT SEWER SYSTEM REHABILITATION OCTOBER 2020

AECOM

60640428




 PROJECT MANAGER



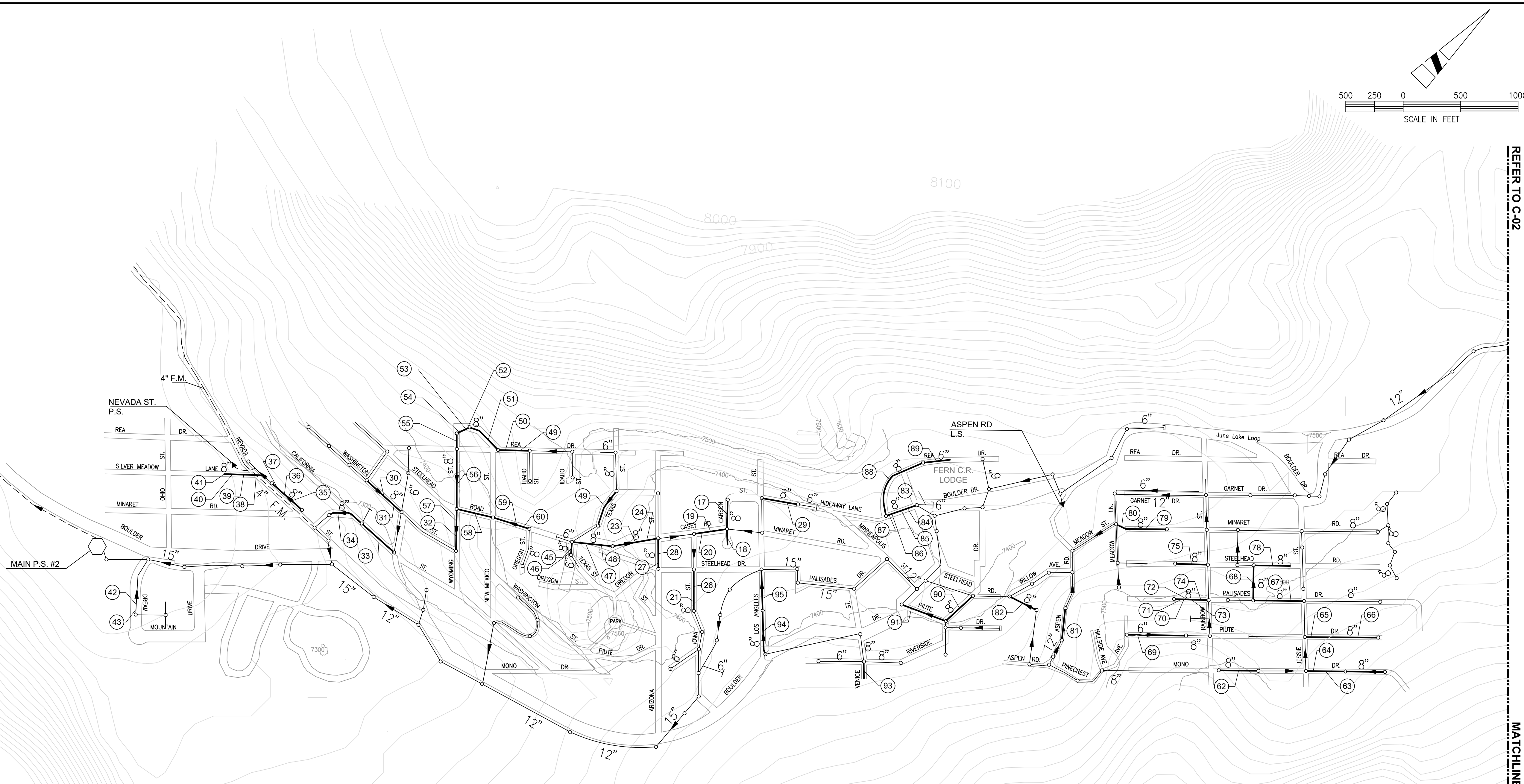
10/02/20 DATE

APPROVAL:

 PAUL STIGLICH, GENERAL MANAGER DATE

SEWER SYSTEM REHABILITATION

JUNE LAKE, CA



REFER TO C-02

MATCHLINE

ID. NO.	TYPE OF DEFICIENCY	VIDEO NAME FILE	DEFICIENCY LOCATION
17	INFILTRATION	200602 61-62 0910.mp4	71.6 LF
18	ROOT INTRUSION	200602 62-63 0925.mp4	93.7 LF
19	PIPE OFFSET	200602 62-64 1015.mp4	128.2 LF
20	PIPE OFFSET	200602 62-64 1015.mp4	190.3 LF
21	INFILTRATION	200602 65-66 1057.mp4	78.1 LF
*22	BLOCKAGE	191113 C02-17A 1503.mp4	38.1 LF
23	ROOT INTRUSION	200602 69-68 1124.mp4	50.7 LF
24	ROOT INTRUSION	200602 69-68 1124.mp4	101.4 LF
*25	BLOCKAGE	200602 65A-65 1209.mp4	151.8 LF
26	INFILTRATION	200602 65-66 1057.mp4	78.1 LF
27	INFILTRATION	200602 70-68 1225.mp4	128.6 LF
28	ROOT INTRUSION	200602 71-70 1402.mp4	6.3 LF
29	INFILTRATION	200602 60-59 0826.mp4	174.2 LF
30	BROKEN PIPE & ROOTS	200604 90-89 0814.mp4	26.4 LF - 67.5 LF
31	BLOCKAGE	200604 90-89 0814.mp4	68.7 LF
32	ROOT INTRUSION	200604 89-94 0953.mp4	159.7 LF
33	ROOT INTRUSION	200604 94-95 1019.mp4	227.1 LF
34	ROOT INTRUSION	200604 95-96 1046.mp4	78.5 LF
35	BROKEN PIPE	200604 100-101 1205.mp4	110.4 LF
36	INFILTRATION	200604 100-101 1205.mp4	125.5 LF
37	INFILTRATION	200604 100-101 1205.mp4	153.3 LF
38	JOINT OFFSET	200604 104-102 1314.mp4	8.6 LF
39	INFILTRATION	200604 102-104 1314.mp4	46.1 LF
40	INFILTRATION	200604 102-104 1314.mp4	70.3 LF
41	ROOT INTRUSION	200604 102-104 1314.mp4	104.9 LF
42	INFILTRATION	200604 105-106 1433.mp4	39.8 LF
43	ROOT INTRUSION	200604 105-106 1433.mp4	64.8 LF

ID. NO.	TYPE OF DEFICIENCY	VIDEO NAME FILE	DEFICIENCY LOCATION
44	BLOCKAGE	200603 74-72 0840.mp4	210.9 LF
45	ROOT INTRUSION	200603 76-73 1005.mp4	6.9 LF
46	JOINT OFFSET	200603 76-73 1005.mp4	39.1 LF
47	ROOT INTRUSION	200603 73-69 1015.mp4	28.4 LF
48	ROOT INTRUSION	200603 73-69 1015.mp4	118.2 LF
49	ROOT INTRUSION	200603 78-80 1119.mp4	212.2 LF
50	ROOT INTRUSION	200603 78-80 1119.mp4	264.4 LF
51	ROOT INTRUSION	200603 80-81 1204.mp4	7.8 LF - 9.1 LF
52	ROOT INTRUSION	200603 81-82 1236.mp4	81.8 LF
53	ROOT INTRUSION	200603 81-82 1236.mp4	120.7 LF
54	ROOT INTRUSION	200603 81-82 1236.mp4	130.5 LF
55	ROOT INTRUSION	200603 82-83 1255.mp4	22.2 LF
56	ROOT INTRUSION	200603 83-87 1305.mp4	119.5 LF
57	ROOT INTRUSION	200603 87-88 1317.mp4	111.0 LF
58	ROOT INTRUSION	200603 84-87 1354.mp4	98.1 LF
59	JOINT OFFSET	200603 85-84 1416.mp4	210.5 LF
60	ROOT INTRUSION	200603 85-84 1416.mp4	234.9 LF
62	ROOT INTRUSION	191112 29-28 1143.mp4	114 LF
63	BROKEN PIPE	191112 26-25 1301.mp4	74.2 LF
64	JOINT OFFSET	191112 26-25 1301.mp4	144.9 LF
65	HOLE IN PIPE	191112 24A-24 1340.mp4	176.6 LF
66	JOINT OFFSET	191112 24A-24 1340.mp4	152.1 LF
67	ROOT INTRUSION	191112 18-22 0843.mp4	135.8 LF
68	HOLE IN PIPE	191113 18-17 0918.mp4	80 LF
69	ROOT INTRUSION	191113 13-14 1021.mp4	26.6 LF
70	ROOT INTRUSION	191113 12A-12 1106.mp4	148 LF
71	ROOT INTRUSION	191113 12A-12 1106.mp4	173.3 LF

ID. NO.	TYPE OF DEFICIENCY	VIDEO NAME FILE	DEFICIENCY LOCATION
72	HOLE IN PIPE	191113 12A-12 1106.mp4	8.2 LF
73	HOLE IN PIPE	191113 12A-12 1228.mp4	9.5 LF
74	HOLE IN PIPE	191113 12A-12 1228.mp4	19.5 LF
75	HOLE IN PIPE	191113 7-11 1254.mp4	141.2 LF
*76	ROOT INTRUSION	191113 CO-17 1445.mp4	51 LF
*77	ROOT INTRUSION	191113 CO-17 1445.mp4	62.8 LF
78	CRACK	191113 CO-17 1445.mp4	116.5 LF
79	BLOCKED LATERAL	191114 8-10 0815.mp4	62.9 LF
80	JOINT OFFSET	191114 8-10 0815.mp4	210.2 LF
81	ROOT INTRUSION	191114 34-35 1038.mp4	334.3 LF
82	JOINT OFFSET	191114 38-37 1133.mp4	128.3 LF
83	BLOCKAGE	191114 CO-42 1313.mp4	21.2 LF
84	INFILTRATION	191114 42-43 1329.mp4	29.7 LF
85	ROOT INTRUSION	191114 42-43 1329.mp4	120.6 LF
86	ROOT INTRUSION	191114 42-43 1329.mp4	133.8 LF
87	HOLE IN PIPE	191114 42-43 1329.mp4	143.5 LF
88	HOLE IN PIPE	191114 43-44 1359.mp4	132.3 LF
89	BLOCKAGE	191114 44-45 1416.mp4	19.9 LF
90	INFILTRATION	191114 48-46 1442.mp4	198.1 LF
91	HOLE IN PIPE	191114 49-48 1503.mp4	6.8 LF
*92	BLOCKAGE	191115 53-42 0803.mp4	4.9 LF
93	CRACK & DEFORMATION	191115 54-52 0825.mp4	205.8 LF
94	HOLE IN PIPE	191115 56-57 0852.mp4	17.5 LF
95	ROOT INTRUSION	191115 57-59 0916.mp4	243.5 LF

- LEGEND:**
- LIFT STATION
 - PIPE DEFICIENCY ID NUMBER
 - PIPE REQUIRING REPAIR / SIZE
 - PIPE / SIZE
 - MANHOLE
- NOTES:**
- PIPE DEFICIENCIES WITH "*" SYMBOL NEXT TO "ID. NO." WERE UNABLE TO BE LOCATED.
 - REPAIR IS BASED ON CLOSED CIRCUIT TV (CCTV) INSPECTION REPORTS PROVIDED BY THE JUNE LAKE PUBLIC UTILITY DISTRICT AND ARE ATTACHED IN THE APPENDIX SECTION OF THE SPECIFICATIONS. EACH PIPE DEFICIENCY FOUND ON THE INSPECTION REPORTS IS PROVIDED ON THE TABLE. THE DEFICIENCY LOCATION IS APPROXIMATE AND BASED ON THE LENGTH TRACKER ON THE RESPECTIVE VIDEO. THE DEFICIENCY LOCATION IS NOT A MEASURE OF THE LENGTH OF THE REPAIR.
 - CONTRACTOR SHALL VERIFY THE TOTAL LENGTH OF THE REPAIR.
 - SERVICE SHALL BE MAINTAINED AT ALL TIMES. SURCHARGES DUE TO PLUGGING THE SEWER LINE FOR POINT REPAIRS SHALL BE MAINTAINED TO PREVENT BACKUPS IN SERVICES AND OVERFLOWS AT ANY POINT IN THE SYSTEM.


AECOM

PROJECT
SEWER SYSTEM REHABILITATION

CLIENT
JUNE LAKE PUBLIC UTILITY DISTRICT
P.O. BOX 99, 2380 HIGHWAY 158
JUNE LAKE, CA. 93529

CONSULTANT
AECOM Water
5001 E. Commercener Dr., Suite 100
Bakersfield, CA 93309
661.283.2323 tel
www.aecom.com

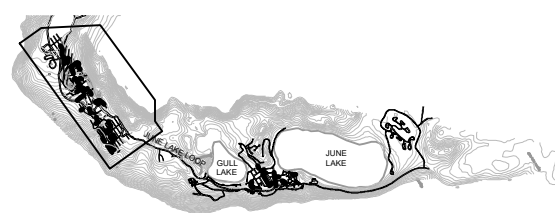
REGISTRATION



ISSUE/REVISION

I/R	DATE	DESCRIPTION
	10-02-20	DRAFT

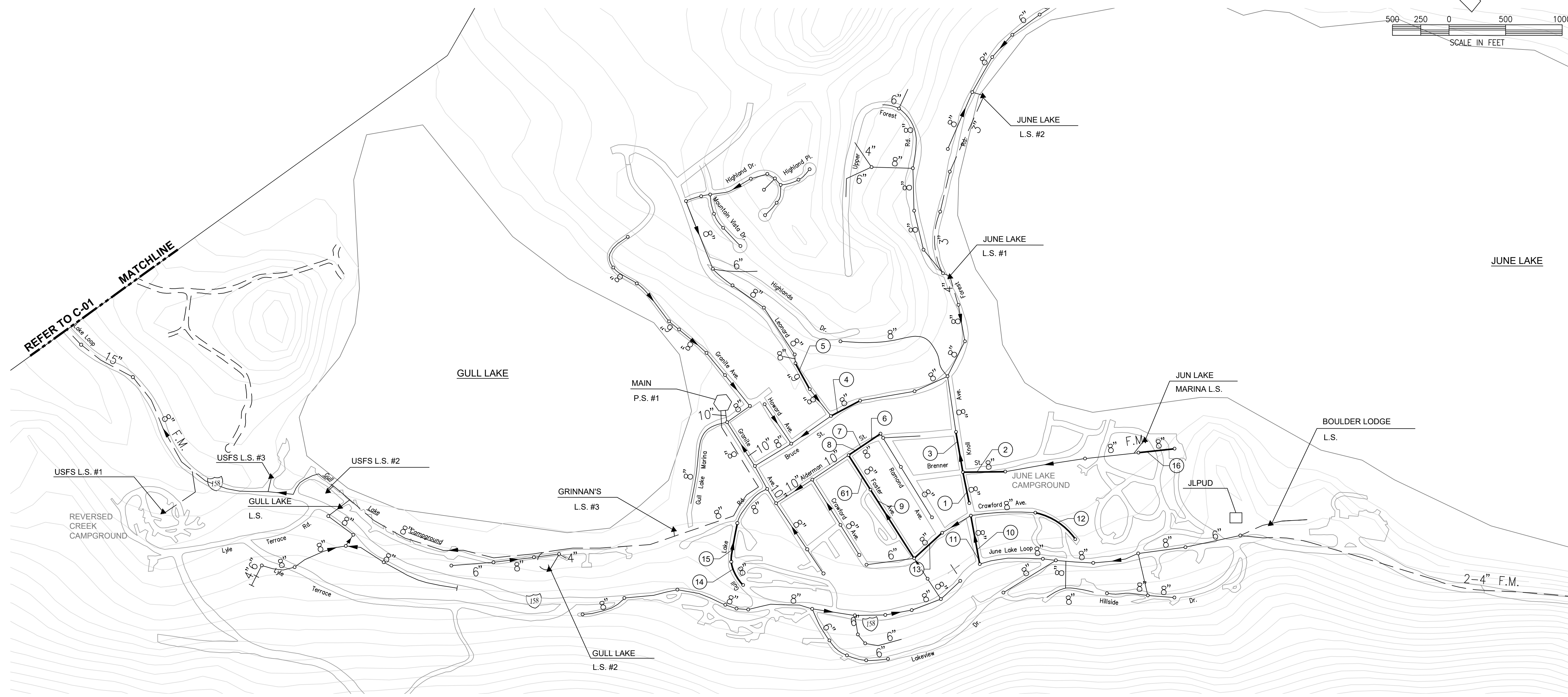
KEY PLAN



PROJECT NUMBER
60640428

SHEET TITLE
SEWER SYSTEM REPAIR LOCATIONS

SHEET NUMBER
C-01



ID.NO.	TYPE OF DEFICIENCY	VIDEO NAME FILE	DEFICIENCY LOCATION
1	CRACK AT JOINT	191015 Knoll & Crawford-Knoll & Brenner 0816.mp4	163.5 LF
2	JOINT OFFSET	191015 Knoll & Brenner-Brenner 1 0854.mp4	106.4 LF
3	INFILTRATION	191015 Knoll & Brenner-Knoll & Alderman 1014.mp4	151.1 LF
4	JOINT OFFSET	191015 Bruce 2-Brue & Leonard 1255.mp4	140.8 LF
5	ROOT INTRUSION	191015 Leonard 2-Leonard 1 1453.mp4	47.5 LF
6	INFILTRATION	191016 Alderman 4-Alderman & Foster 1124.mp4	181.6 LF
7	BROKEN PIPE	191016 Alderman 4-Alderman & Foster 1124.mp4	155.3 LF
8	BROKEN PIPE	191016 Alderman 4-Alderman & Foster 1124.mp4	126.8 LF
9	CRACKED PIPE & INFILTRATION	191016 - Foster & Crawford-Foster 1 1214.mp4	75.8 LF
61	CRACKED PIPE	191016 - Foster 1-Alderman & Foster 1147.mp4	156.3 LF
10	ROOT INTRUSION IN LATERAL	191017 - Knoll & Boulder-Knoll A 0738.mp4	45.6 LF
11	ROOT INTRUSION	191017 - Knoll & Boulder-Knoll A 0738.mp4	54 LF
12	CRACKED PIPE	191017 - Crawford 3-Crawford2 0817.mp4	155.9 LF
13	CRACKED PIPE	191017 - Crawford 4-Foster & Crawford 0848.mp4	181.1 LF
14	ROOT INTRUSION	191017 - Gull Lake 2-Gull Lake 1 1202.mp4	13.5 LF
15	BROKEN PIPE	191017 - Gull Lake 1 & Gull Lake & Granite.mp4	47.5 LF
16	BLOCKAGE	191016 - Brenner 4-Brenner 3 0840.mp4	38.8 LF

- LEGEND:**
- LIFT STATION
 - PIPE DEFICIENCY ID NUMBER
 - PIPE REQUIRING REPAIR / SIZE
 - PIPE / SIZE
 - MANHOLE

- NOTES:**
- REPAIR IS BASED ON CLOSED CIRCUIT TV (CCTV) INSPECTION REPORTS PROVIDED BY THE JUNE LAKE PUBLIC UTILITY DISTRICT AND ARE ATTACHED IN THE APPENDIX SECTION OF THE SPECIFICATIONS. EACH PIPE DEFICIENCY FOUND ON THE INSPECTION REPORTS IS PROVIDED ON THE TABLE. THE DEFICIENCY LOCATION IS APPROXIMATE AND BASED ON THE LENGTH TRACKER ON THE RESPECTIVE VIDEO. THE DEFICIENCY LOCATION IS NOT A MEASURE OF THE LENGTH OF THE REPAIR.
 - CONTRACTOR SHALL VERIFY THE TOTAL LENGTH OF THE REPAIR.
 - SERVICE SHALL BE MAINTAINED AT ALL TIMES. SURCHARGES DUE TO PLUGGING THE SEWER LINE FOR POINT REPAIRS SHALL BE MAINTAINED TO PREVENT BACKUPS IN SERVICES AND OVERFLOWS AT ANY POINT IN THE SYSTEM.



PROJECT
SEWER SYSTEM REHABILITATION

CLIENT
JUNE LAKE PUBLIC UTILITY DISTRICT
 P.O. BOX 99, 2380 HIGHWAY 158
 JUNE LAKE, CA. 93529

CONSULTANT
 AECOM Water
 5001 E. Commercenter Dr., Suite 100
 Bakersfield, CA 93309
 661.283.2323 tel
 www.aecom.com

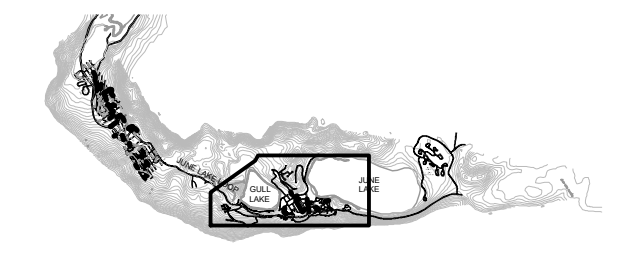
REGISTRATION



ISSUE/REVISION

I/R	DATE	DESCRIPTION
	10-02-20	DRAFT

KEY PLAN



PROJECT NUMBER
 60640428

SHEET TITLE
 SEWER SYSTEM REPAIR LOCATIONS

SHEET NUMBER
 C-02



I/R	DATE	DESCRIPTION
10-02-20		DRAFT

60640428

DETAILS &
REHABILITATION METHODS

D-01

TYPE OF DEFICIENCY	NUMBER OF TYPE OF DEFICIENCIES	RECOMMENDED REPAIR
BROKEN PIPE	6	REPAIR 1
HOLE IN PIPE	10	REPAIR 1
CRACK IN PIPE / JOINT	7	REPAIR 1
JOINT OFFSET	12	REPAIR 1
INFILTRATION	14	REPAIR 1
BLOCKAGE	9	REPAIR 2
ROOT INTRUSION	37	REPAIR 1

REHABILITATION METHODS

REPAIR 1 - PIPE SEGMENT POINT REPAIR

- PIPE SHALL BE FULLY CLEANED AND FREE OF DEBRIS PRIOR TO COMMENCEMENT OF WORK.
- CONTRACTOR TO REVIEW CCTV INFORMATION AVAILABLE FOR JOINT OFFSET REPAIRS. OFFSETS WITHIN PIPE WITH SIZE OF 6-INCH SHOULD ALWAYS BE REPLACED. OFFSETS WITHIN PIPE WITH SIZE OF 8-INCHES OR LARGER SHALL BE POINT REPAIRED ONLY IF OFFSET IS LARGER THAN A 1/4-INCH.

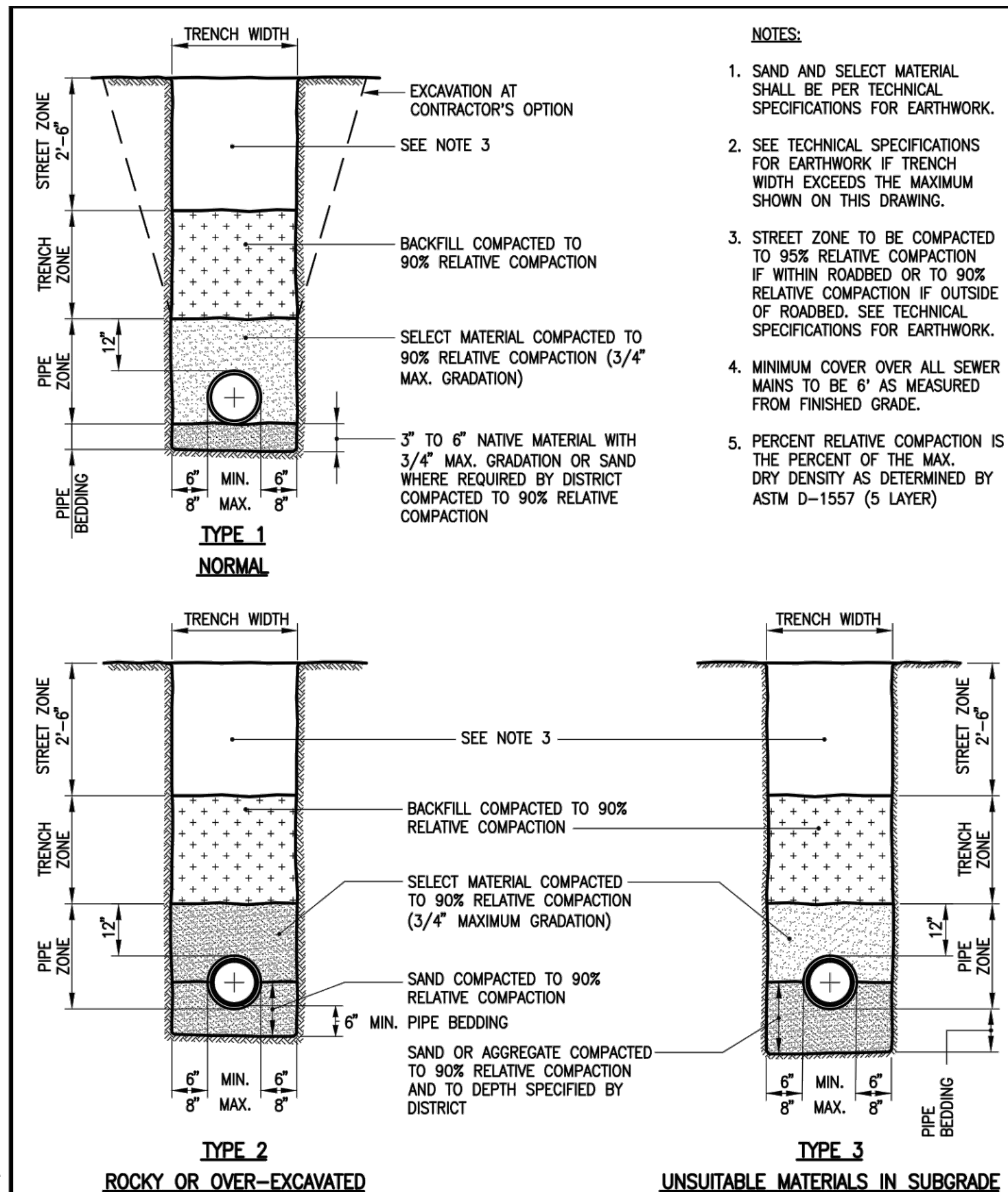
REPAIR 2 - CLEAR BLOCKAGES

- CONTRACTOR TO REVIEW CCTV DATA AND PIPE INSPECTION REPORTS PROVIDED IN THE APPENDIX OF THE SPECIFICATIONS TO DETERMINE IF BLOCKAGE IS PARTIAL OR FULL.
- PIPE SHALL BE CLEARED OF OBSTRUCTIONS VIA HIGH-PRESSURE WATER JETTING. IF CLEARING IS UNSUCCESSFUL, CONTRACTOR SHALL USE APPROPRIATE MECHANICAL MEANS TO CLEAR BLOCKAGE.
- CONTRACTOR TO PROVIDE REINSPECTION OF PIPE TO ENSURE SUCCESSFUL REMOVAL OF BLOCKAGES PER SPECIFICATION SECTION 282316.

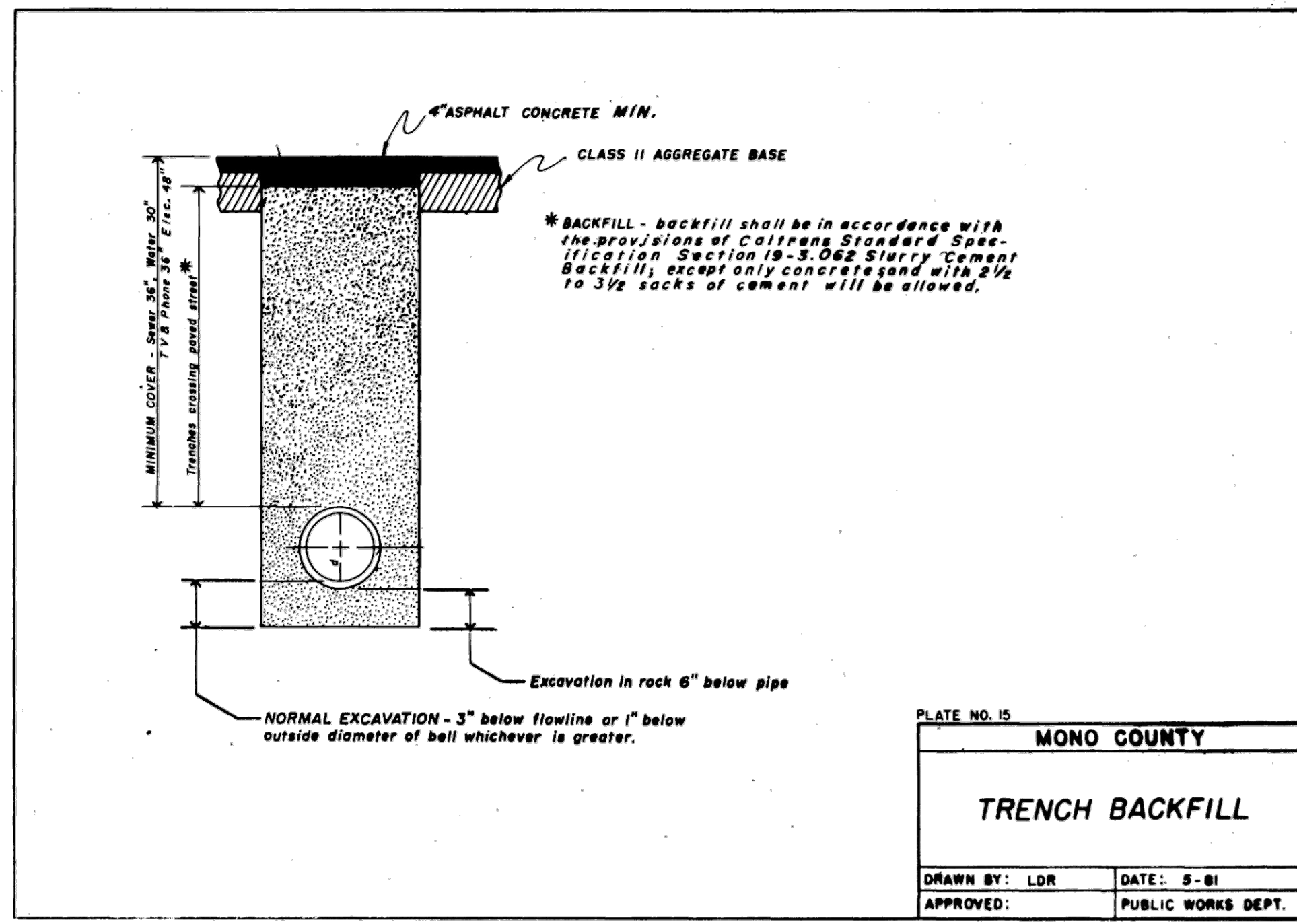
STREET REPAIR:

CONTRACTOR TO REPAIR STREET TRENCHES ACCORDING TO STREET OWNERSHIP AS DESCRIBED BELOW:

- STREETS OWNED BY JUNE LAKE AND MONO COUNTY SHALL BE REPAIRED PER THE DEPARTMENT OF PUBLIC WORKS, COUNTY OF MONO, ROAD IMPROVEMENTS STANDARDS, PER MONO COUNTY TRENCH BACKFILL PLATE NO. 15.
- STREETS OWNED BY CALTRANS SHALL BE REPAIRED PER THE 2018 STANDARD PLANS AND STANDARD SPECIFICATION SECTION 20-2.01C(2) TRENCHING AND BACKFILLING.



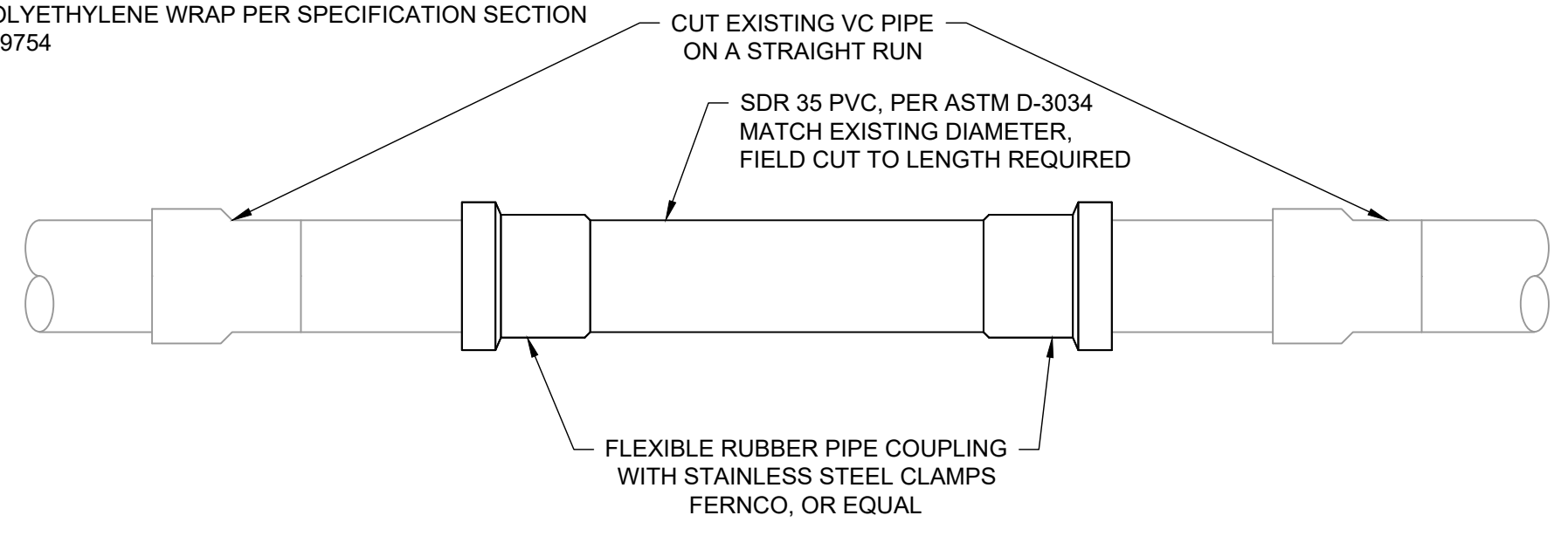
JUNE LAKE PUBLIC UTILITY DISTRICT		DATE DRAWN	SHEET NO.
SEWER PIPE BEDDING AND BACKFILL DETAILS		10/04	S-1
DATE	REVISION		



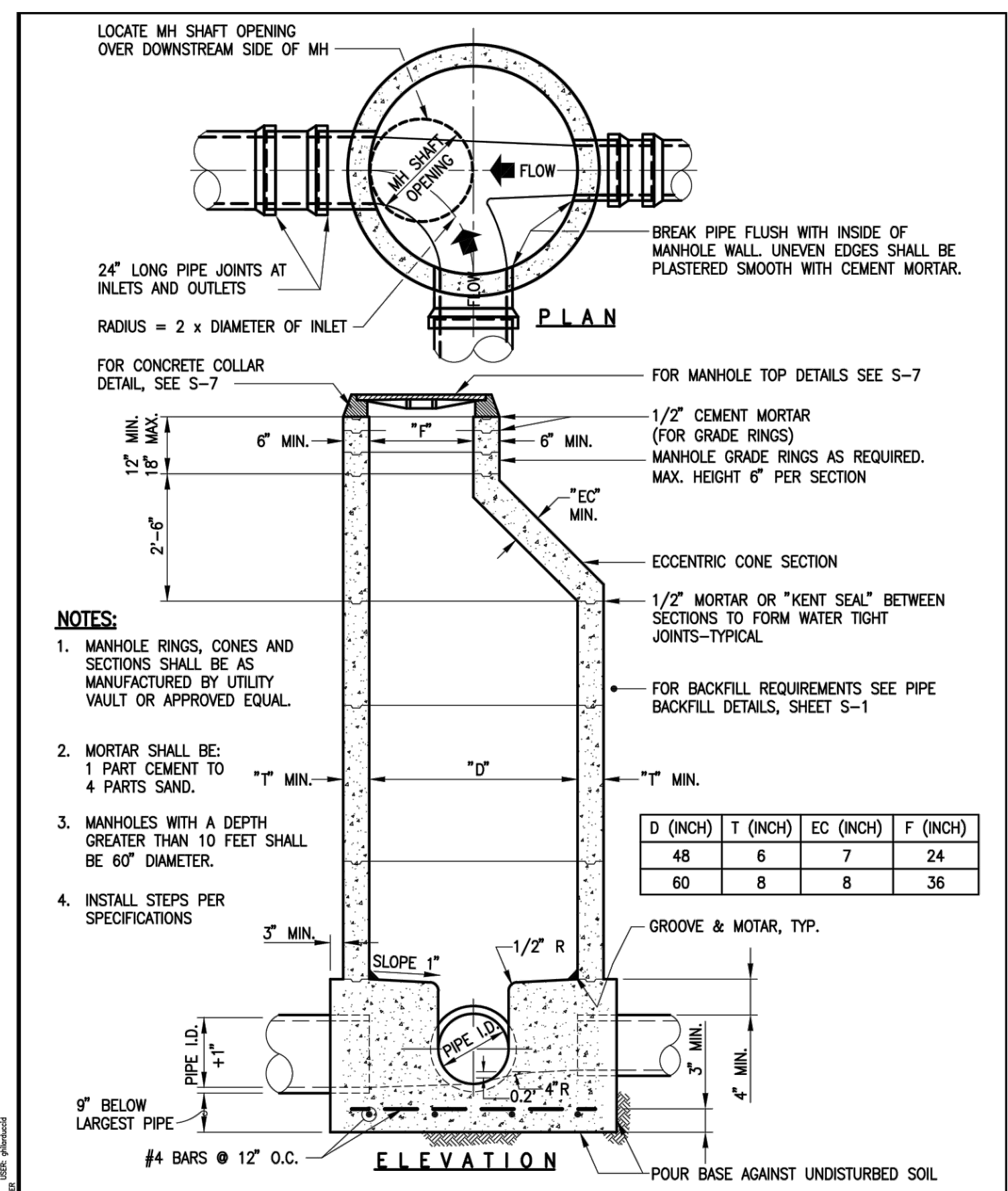
DATE	REVISION	DATE DRAWN	SHEET NO.
		10/04	S-6

NOTES:

- CUT ON EXISTING PIPE SEGMENT SHALL BE ON A STRAIGHT RUN AND A LENGTH OF 12-INCHES FROM DEFICIENCY ON EACH SIDE. AVOID CUTTING NEAR BELL. IF PIPE REPAIR IS NEAR THE BELL, CUT BEHIND THE BELL. CUT SHALL BE CLEAN AND FREE OF DEBRIS PRIOR TO THE COMMENCEMENT OF WORK.
- WRAP NEW REPLACEMENT PIPE AND COUPLINGS WITH POLYETHYLENE WRAP PER SPECIFICATION SECTION 099754



1 PIPE SEGMENT REPLACEMENT
Scale: NTS



JUNE LAKE PUBLIC UTILITY DISTRICT		DATE DRAWN	SHEET NO.
48" AND 60" I.D. STANDARD MANHOLE		10/04	S-6
DATE	REVISION		